

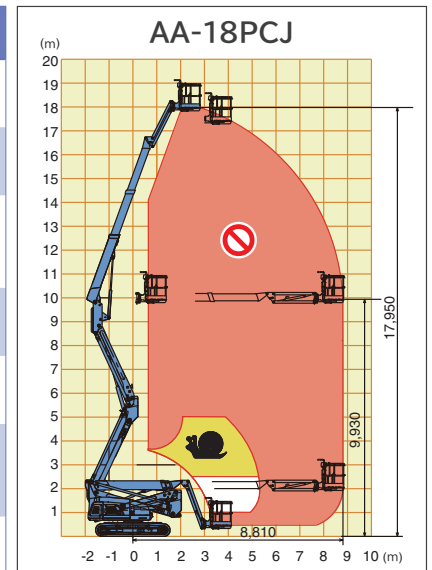
→ AA-18PCJ (NUL18J)

Crawler type
Articulated boom lift

FEATURES

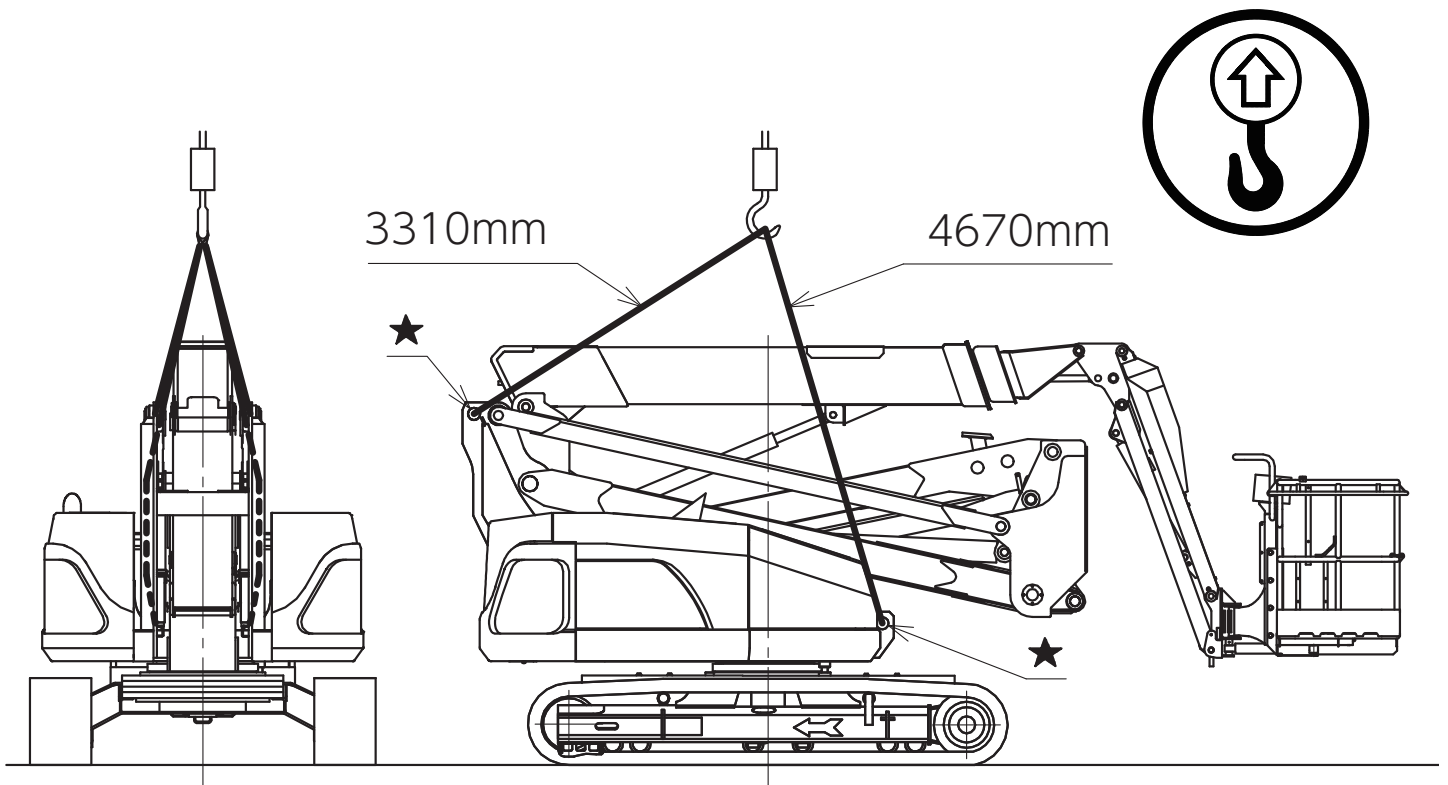
- ✓ Low emission
- ✓ Travel stop regeneration

TYPE	AA-18PCJ
Platform capacity	200 kg
Allowable tilt	3°
Platform dimensions (W x L x H)	1,130 x 730 x 1,020 mm
Platform height (max)	17,950 mm
Horizontal reach	8,810 mm
Machine weight (w/pad)	9,420 (9,660) kg
Overall length	6,120 mm
Overall width	2,250 mm
Overall height (w/pad)	2,365 (2,392) mm
Engine model	KUBOTA D1305
Travel speeds	0.9/1.6/2.9 km/h



Lifting the machine

- ⚠ Use only qualified rigging to hoist the machine.
- ⚠ Be sure that lifting devices and crane are sufficient to withstand the machine weight.
- Raise Lift boom until the rigging not touched and turntable locked with slewing lock-pin.
- Determine the center of gravity of the machine as shown below.
- Attach the rigging to designated lifting rings on the machine.
- Insert protective materials where rigging may interfere with the machine.



Tadano Ltd.

Kanda Square 18th Floor, 2-2-1 Kanda-Nishikicho, Chiyoda-ku, Tokyo 101-0054, Japan

Phone: +81-3-6811-7309

info@tadano.com

www.tadano.com