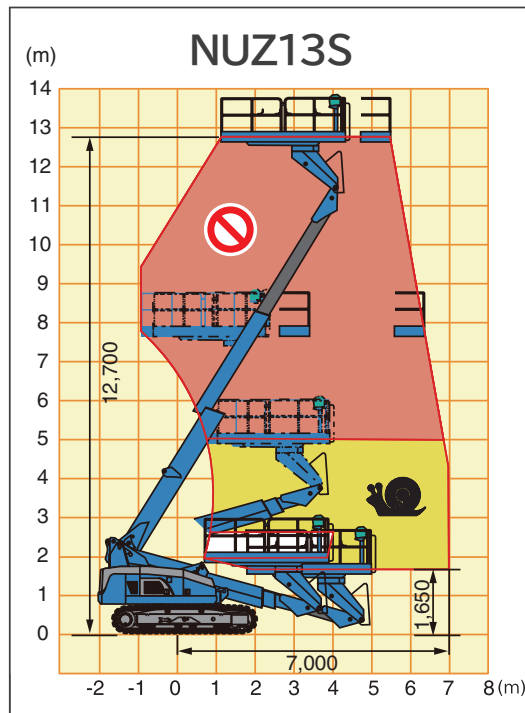


## → NUZ13S

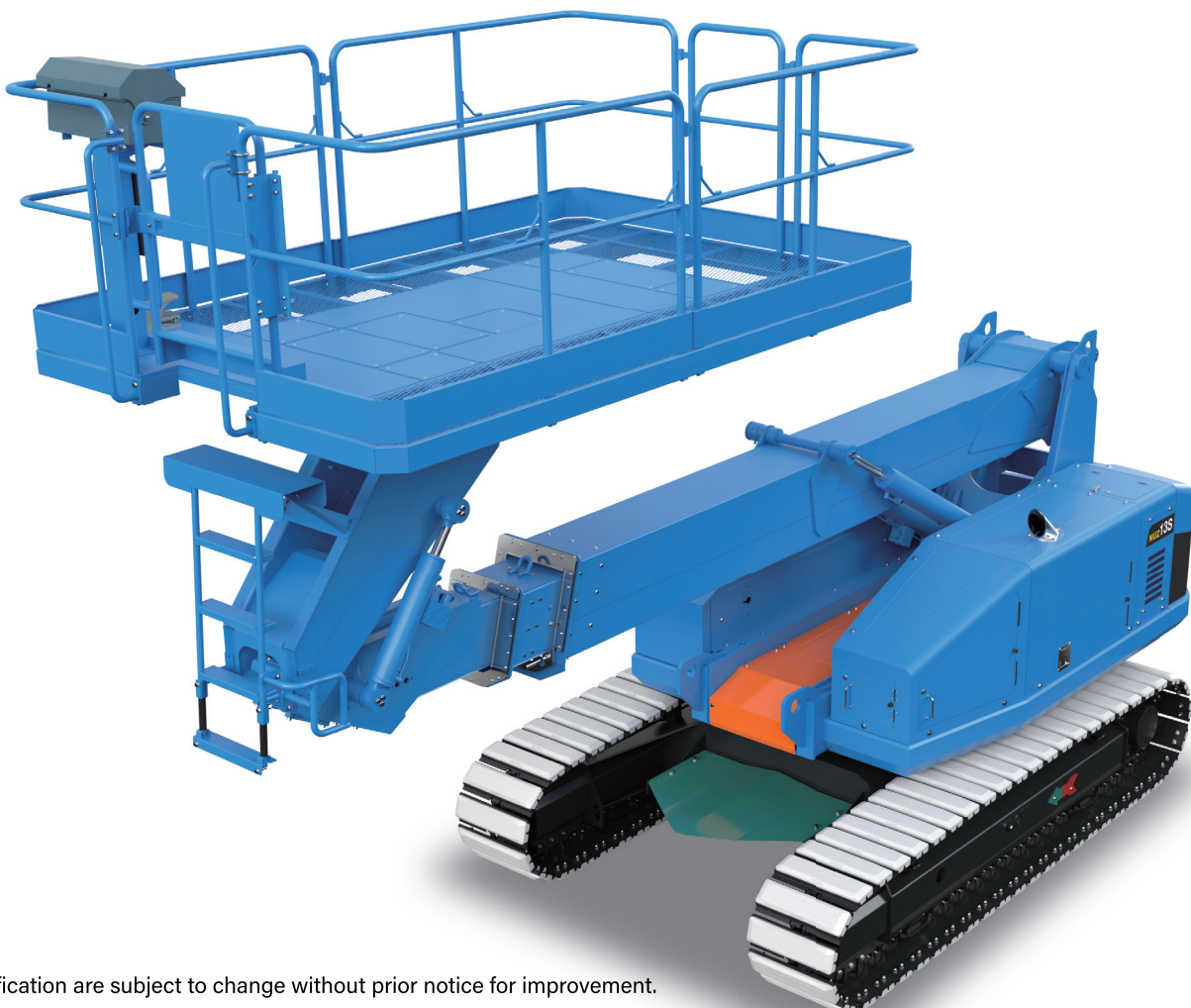
Extra-wide platform  
Crawler type / Telescopic boom lift

### FEATURES

- ✓ Overload sensing
- ✓ Max platform capacity 1000kg
- ✓ Operation restriction (slope)



TYPE	NUZ13S
Platform capacity	1,000 kg
Allowable tilt	3°
Platform dimensions (W x L x H)	2,050 x 3,150 x 1,000 mm
Platform height (max)	12,700 mm
Horizontal reach	7,000 mm
Machine weight (w/pad)	11,560 (11,980) kg
Overall length	6,345 mm
Overall width	2,480 mm
Overall height	3,070 mm
Engine model	KUBOTA D1803
Travel speeds	1.0/1.8/3.3 km/h



## Lifting the machine

- ⚠ Use only qualified rigging to hoist the machine.
- ⚠ Be sure that lifting devices and crane are sufficient to withstand the machine weight.
- Ensure the boom is in stowed position and turntable locked with slewing lock-pin before lifting.
- Determine the center of gravity of the machine as shown below.
- Attach the rigging to designated lifting rings on the machine.
- Insert protective materials where rigging may interfere with the machine.

