

→ NUS18-7/NUS18N-7

Crawler type
Telescopic boom lift

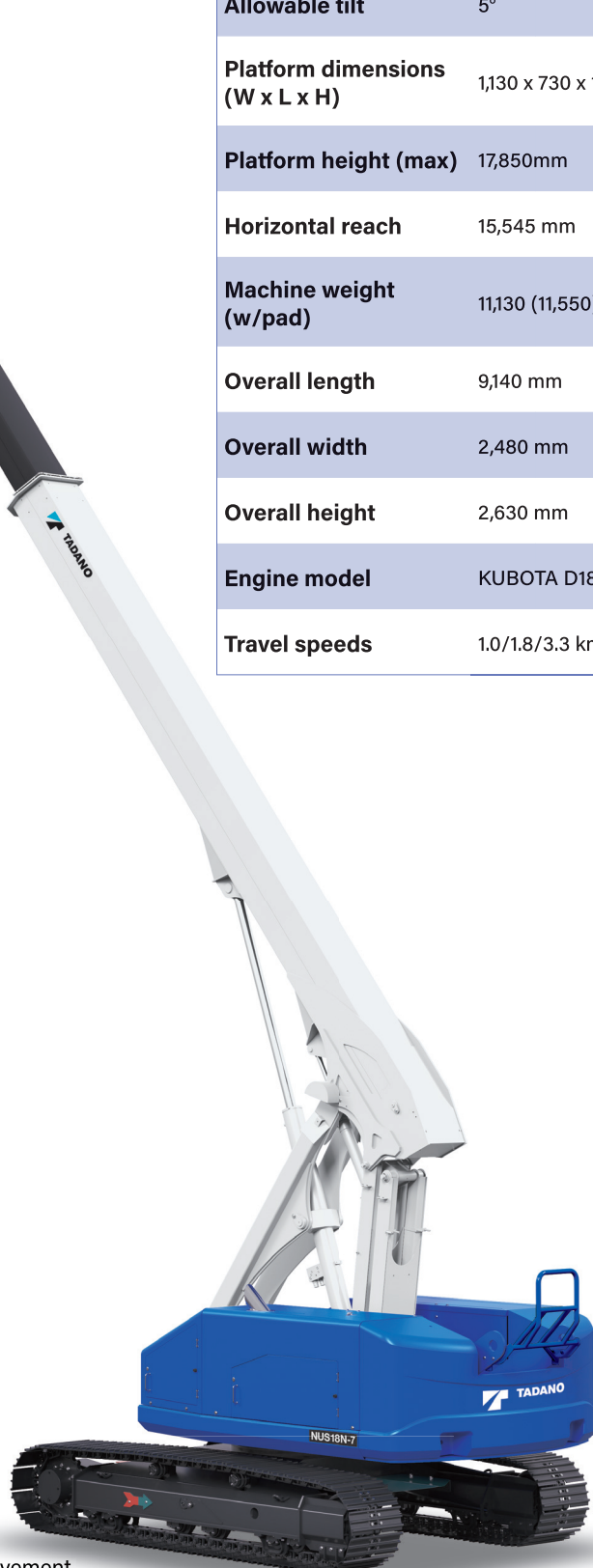
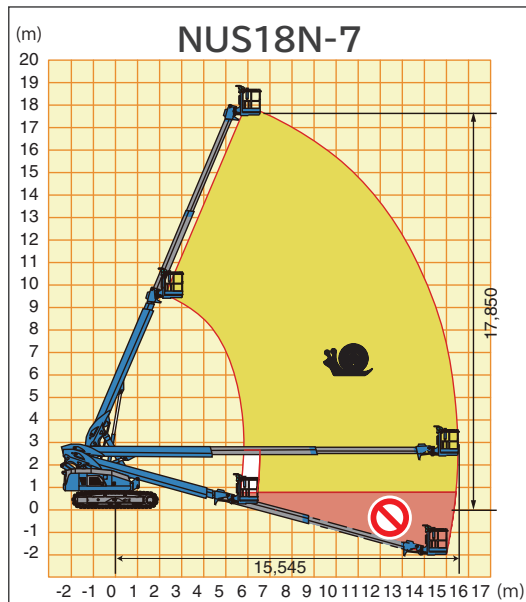
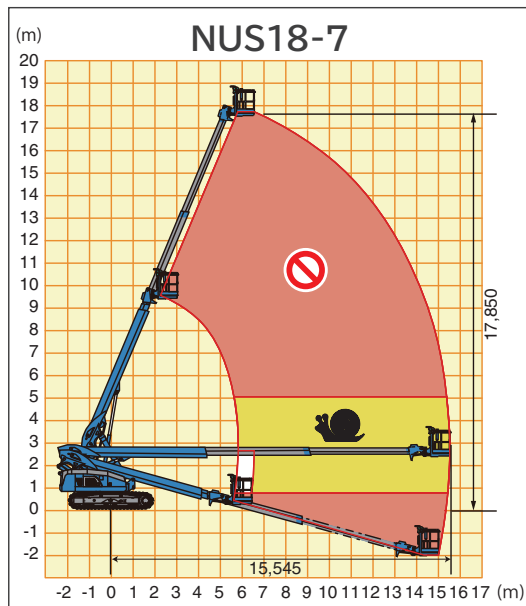


FEATURES

- ✓ Allowable tilt 5°
- ✓ Operation restriction (slope)
- ✓ Overload sensing
- ✓ 6 ft platform (option)
- ✓ Travel stop regulation (NUS18-7)
- ✓ Total range traveling (NUS18N-7)



TYPE	NUS18-7/NUS18N-7
Platform capacity	250 kg
Allowable tilt	5°
Platform dimensions (W x L x H)	1,130 x 730 x 1,000 mm
Platform height (max)	17,850 mm
Horizontal reach	15,545 mm
Machine weight (w/pad)	11,130 (11,550) kg
Overall length	9,140 mm
Overall width	2,480 mm
Overall height	2,630 mm
Engine model	KUBOTA D1803
Travel speeds	1.0/1.8/3.3 km/h



Lifting the machine

- ⚠ Use only qualified rigging to hoist the machine.
- ⚠ Be sure that lifting devices and crane are sufficient to withstand the machine weight.
- Ensure the boom is in stowed position before lifting.
- Determine the center of gravity of the machine as shown below.
- Attach the rigging to designated lifting rings on the machine.
- Insert protective materials where rigging may interfere with the machine.

