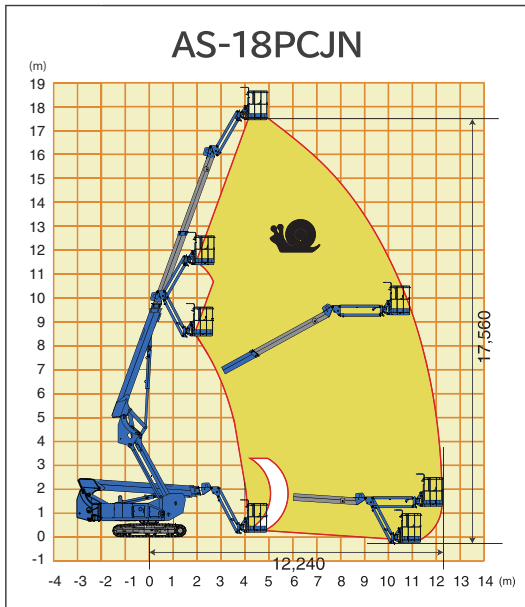
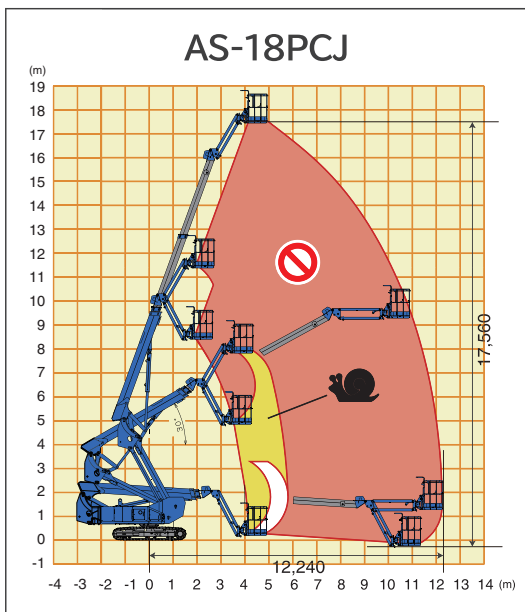
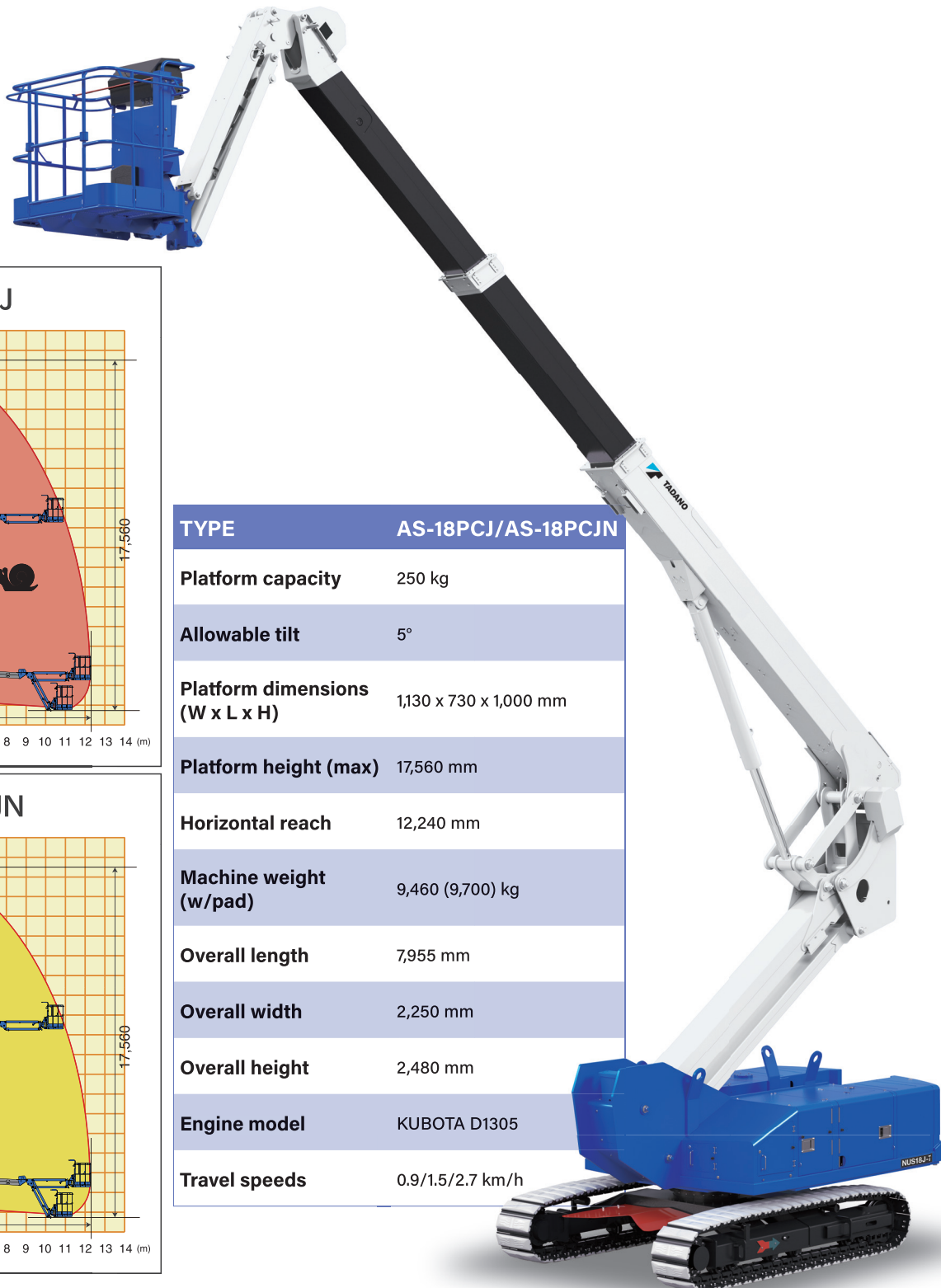


## → AS-18PCJ/AS-18PCJN (NUS18J-7/NUS18JN-7)

Crawler type  
Telescopic boom lift

### FEATURES

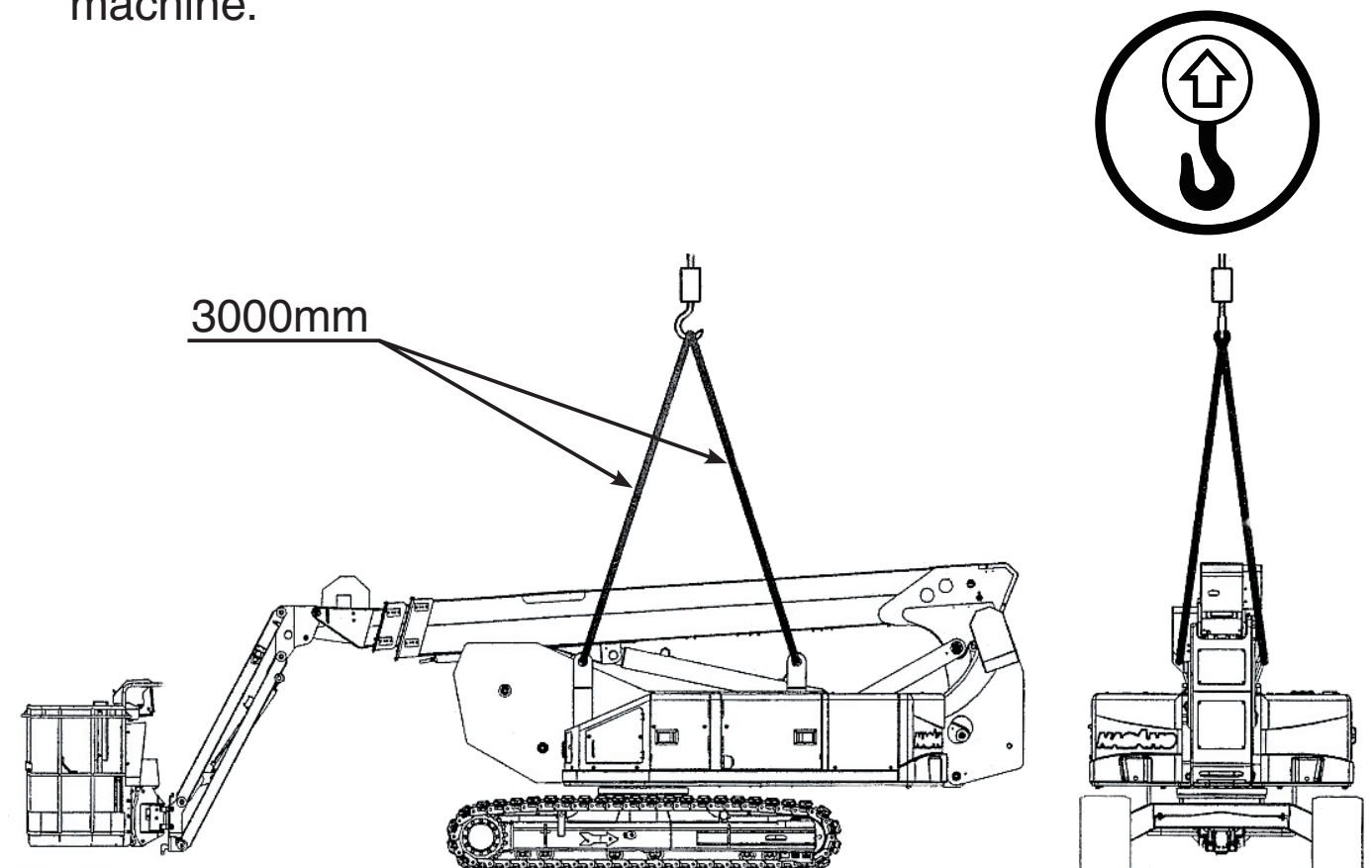
- ✓ Low emission
- ✓ Allowable tilt 5°
- ✓ Operation restriction (slope)
- ✓ Overload sensing
- ✓ 6 ft platform (option)
- ✓ Travel stop regulation (AS-18PCJ)
- ✓ Total range traveling (AS-18PCJN)



TYPE	AS-18PCJ/AS-18PCJN
Platform capacity	250 kg
Allowable tilt	5°
Platform dimensions (W x L x H)	1,130 x 730 x 1,000 mm
Platform height (max)	17,560 mm
Horizontal reach	12,240 mm
Machine weight (w/pad)	9,460 (9,700) kg
Overall length	7,955 mm
Overall width	2,250 mm
Overall height	2,480 mm
Engine model	KUBOTA D1305
Travel speeds	0.9/1.5/2.7 km/h

## Lifting the machine

- ⚠ Use only qualified rigging to hoist the machine.
- ⚠ Be sure that lifting devices and crane are sufficient to withstand the machine weight.
- Ensure the boom is in stowed position before lifting.
- Determine the center of gravity of the machine as shown below.
- Attach the rigging to designated lifting rings on the machine.
- Insert protective materials where rigging may interfere with the machine.



**Tadano Ltd.**

Kanda Square 18th Floor, 2-2-1 Kanda-Nishikicho, Chiyoda-ku, Tokyo 101-0054, Japan

Phone: +81-3-6811-7309

info@tadano.com

www.tadano.com