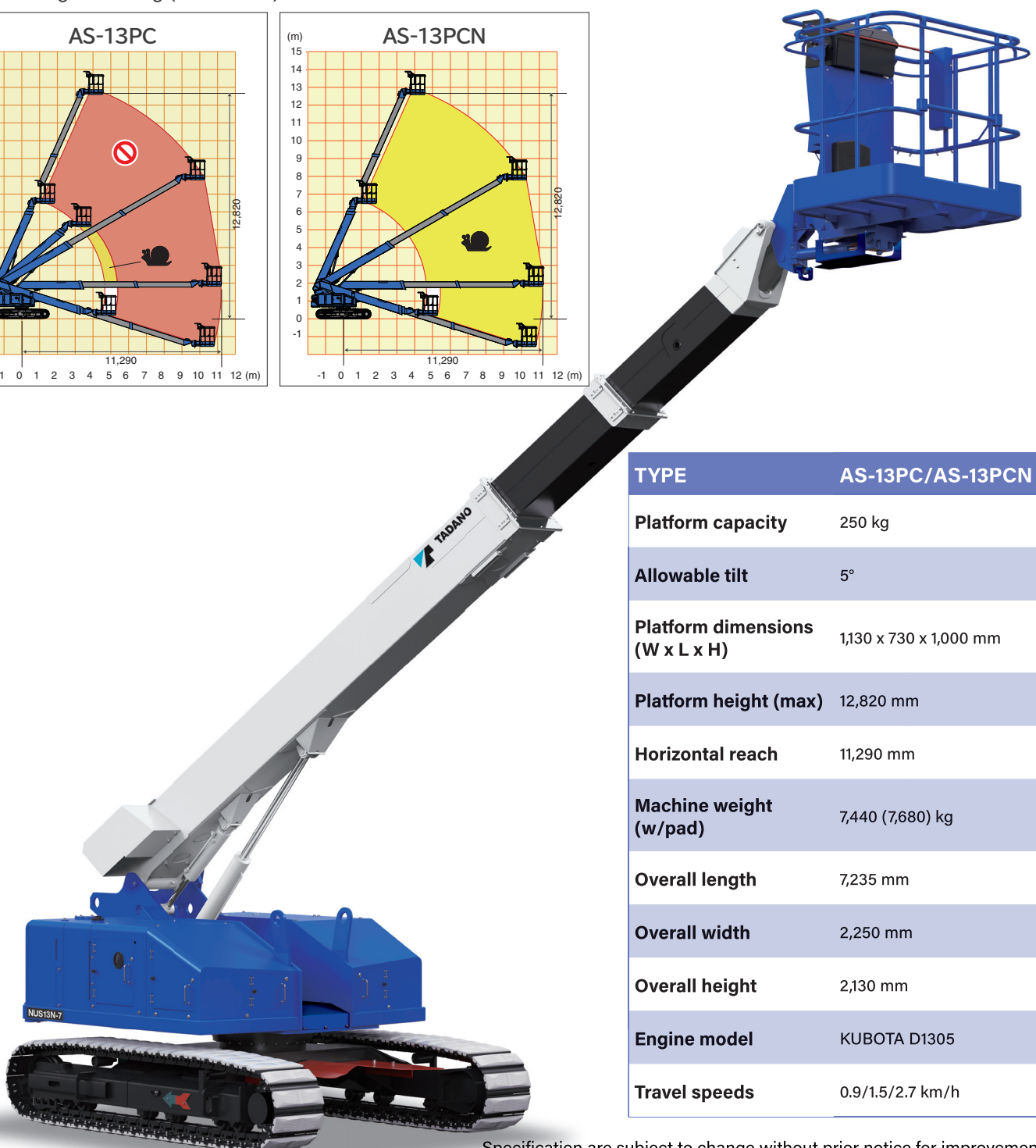
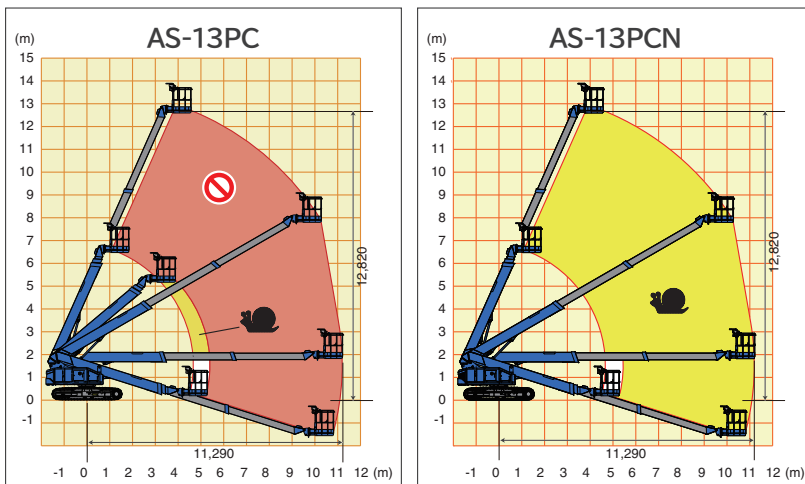


→ AS-13PC/AS-13PCN (NUS13-7/NUS13N-7)

Crawler type
Telescopic boom lift

FEATURES

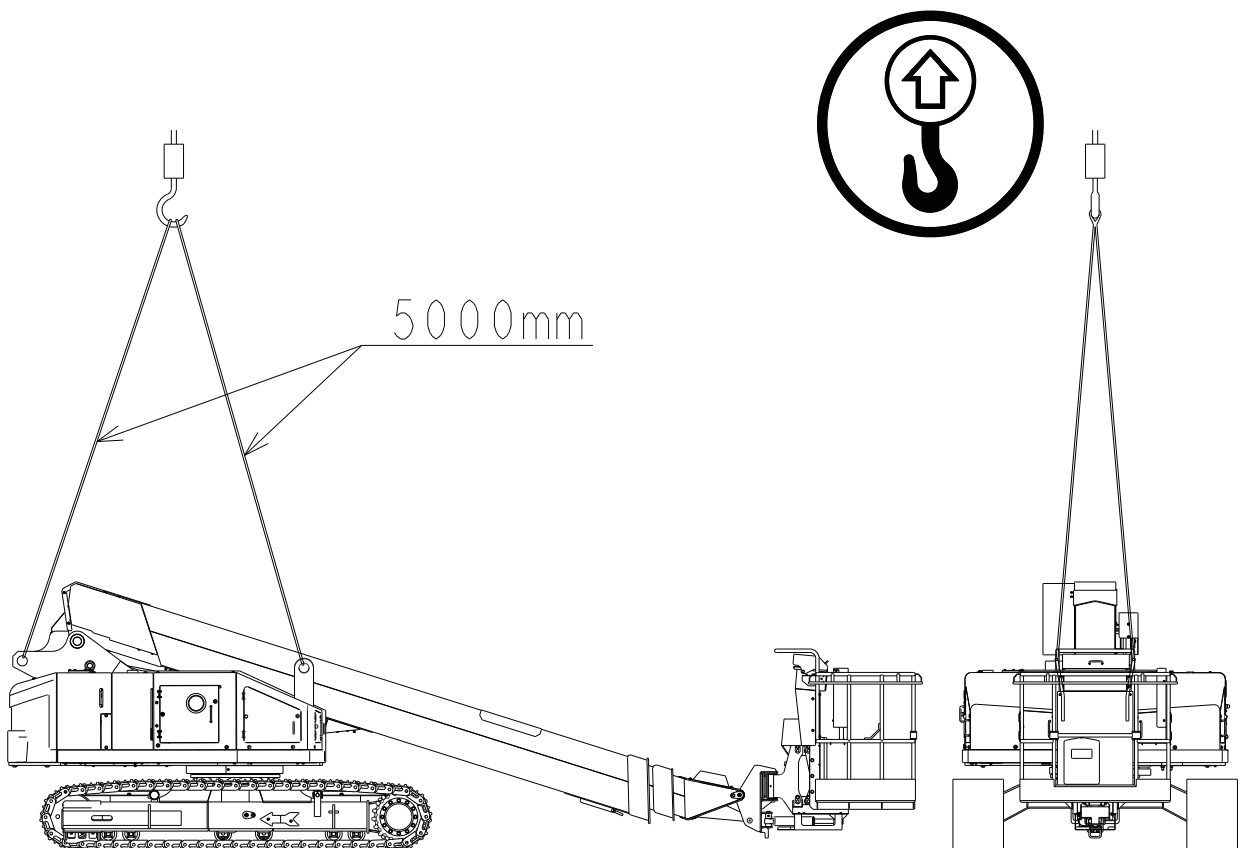
- ✓ Low emission
- ✓ Allowable tilt 5°
- ✓ Operation restriction (slope)
- ✓ Overload sensing
- ✓ 6 ft platform (option)
- ✓ Travel stop regulation (AS-13PC)
- ✓ Total range traveling (AS-13PCN)



TYPE	AS-13PC/AS-13PCN
Platform capacity	250 kg
Allowable tilt	5°
Platform dimensions (W x L x H)	1,130 x 730 x 1,000 mm
Platform height (max)	12,820 mm
Horizontal reach	11,290 mm
Machine weight (w/pad)	7,440 (7,680) kg
Overall length	7,235 mm
Overall width	2,250 mm
Overall height	2,130 mm
Engine model	KUBOTA D1305
Travel speeds	0.9/1.5/2.7 km/h

Lifting the machine

- ⚠ Use only qualified rigging to hoist the machine.
- ⚠ Be sure that lifting devices and crane are sufficient to withstand the machine weight.
- Ensure the boom is in stowed position before lifting.
- Determine the center of gravity of the machine as shown below.
- Attach the rigging to designated lifting rings on the machine.
- Insert protective materials where rigging may interfere with the machine.



Tadano Ltd.

Kanda Square 18th Floor, 2-2-1 Kanda-Nishikicho, Chiyoda-ku, Tokyo 101-0054, Japan

Phone: +81-3-6811-7309

info@tadano.com

www.tadano.com