

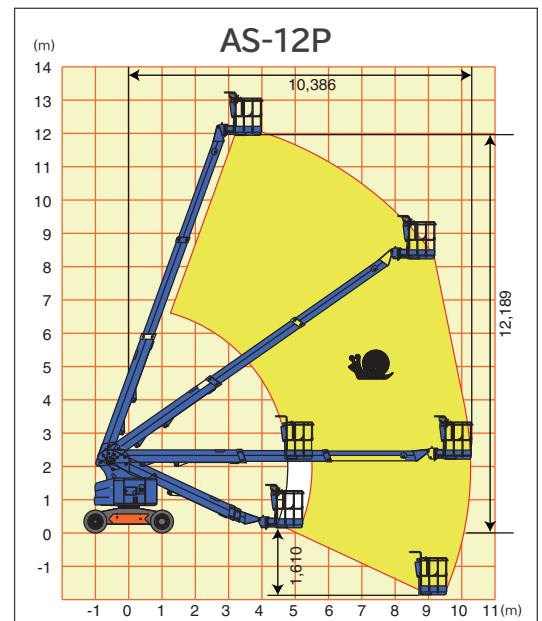
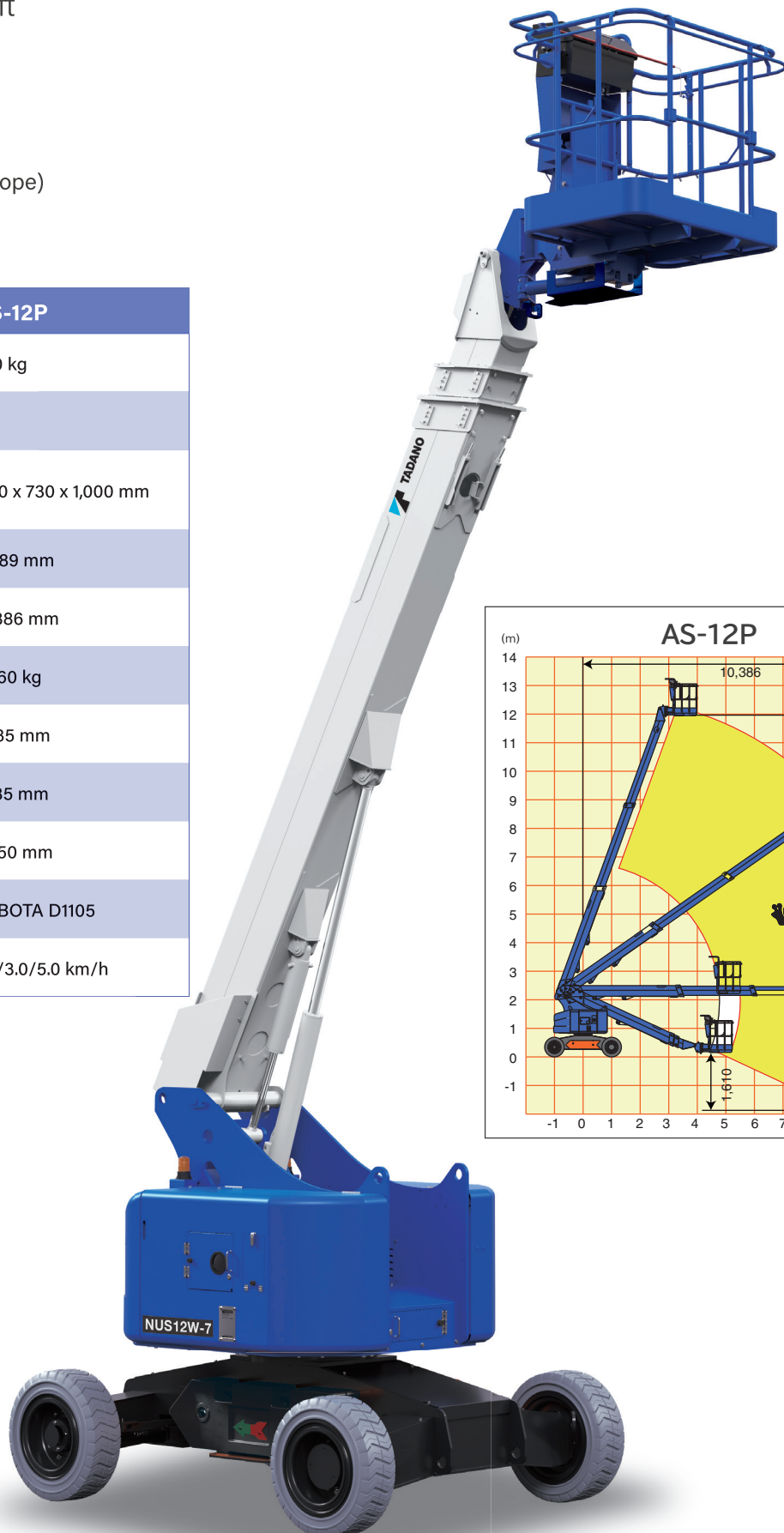
→ AS-12P (NUS12W-7)

Wheel type
Telescopic boom lift

FEATURES

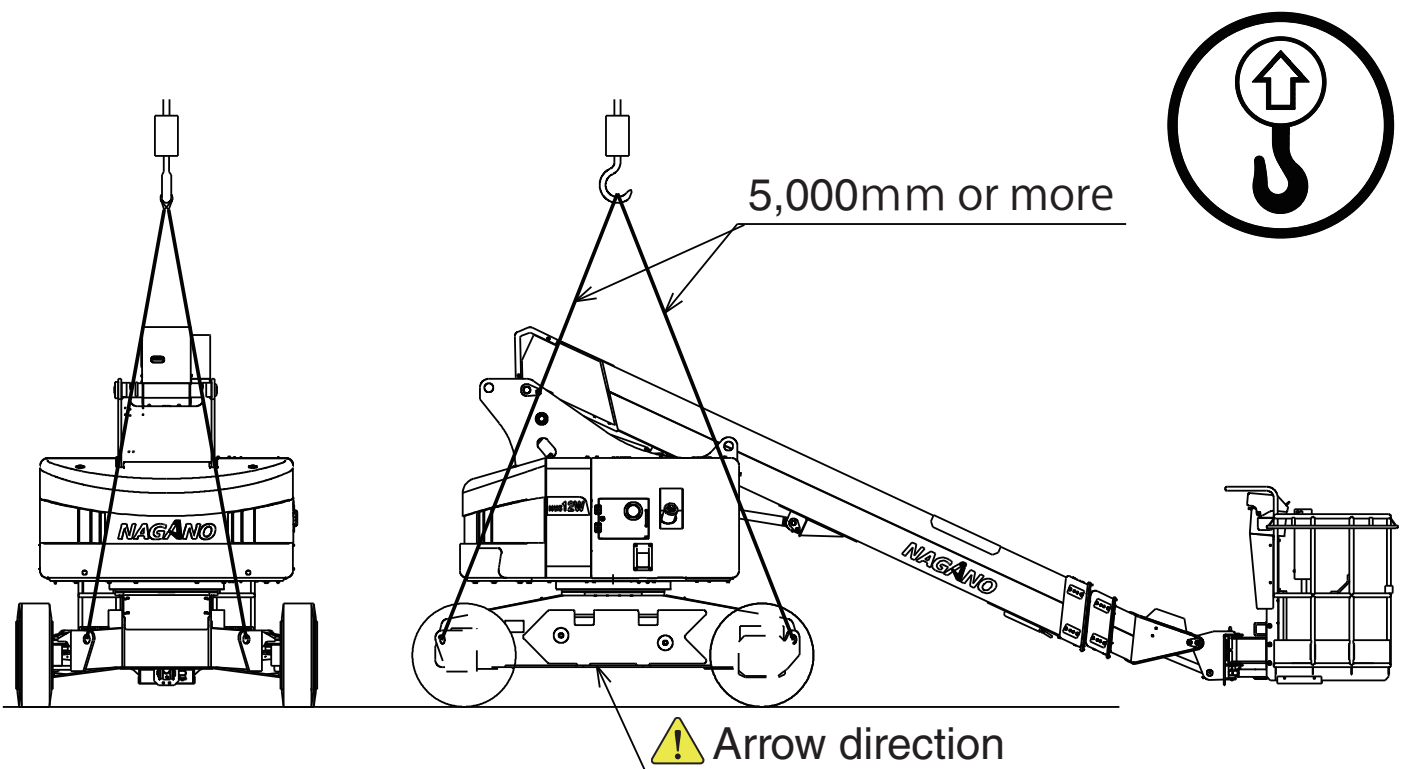
- ✓ Low emission
- ✓ Allowable tilt 5°
- ✓ Operation restriction (slope)
- ✓ Overload sensing
- ✓ Total range traveling

TYPE	AS-12P
Platform capacity	200 kg
Allowable tilt	5°
Platform dimensions (W x L x H)	1,130 x 730 x 1,000 mm
Platform height (max)	12,189 mm
Horizontal reach	10,386 mm
Machine weight	8,860 kg
Overall length	6,735 mm
Overall width	1,985 mm
Overall height	2,550 mm
Engine model	KUBOTA D1105
Travel speeds	0.9/3.0/5.0 km/h



Lifting the machine

- ⚠ Use only qualified rigging to hoist the machine.
- ⚠ Be sure that lifting devices and crane are sufficient to withstand the machine weight.
- Ensure the boom is in stowed position before lifting.
- Determine the center of gravity of the machine as shown below.
- Attach the rigging to designated lifting rings on the machine.
- Insert protective materials where rigging may interfere with the machine.



Tadano Ltd.

Kanda Square 18th Floor, 2-2-1 Kanda-Nishikicho, Chiyoda-ku, Tokyo 101-0054, Japan

Phone: +81-3-6811-7309

info@tadano.com

www.tadano.com