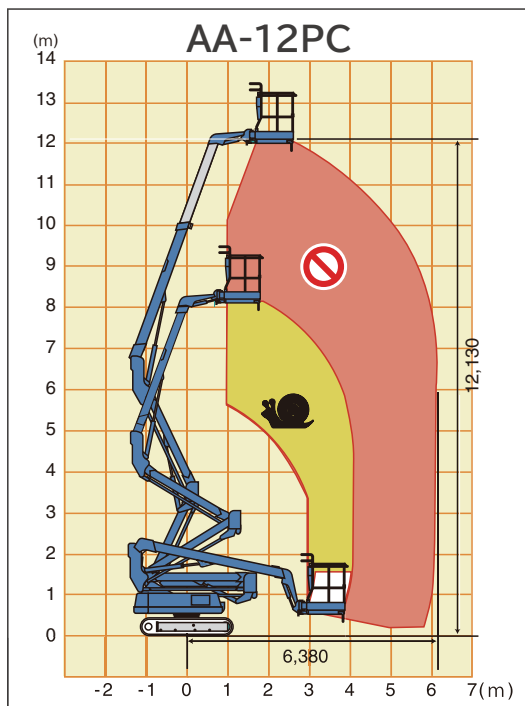


→ AA-12PC (NUL12-7)

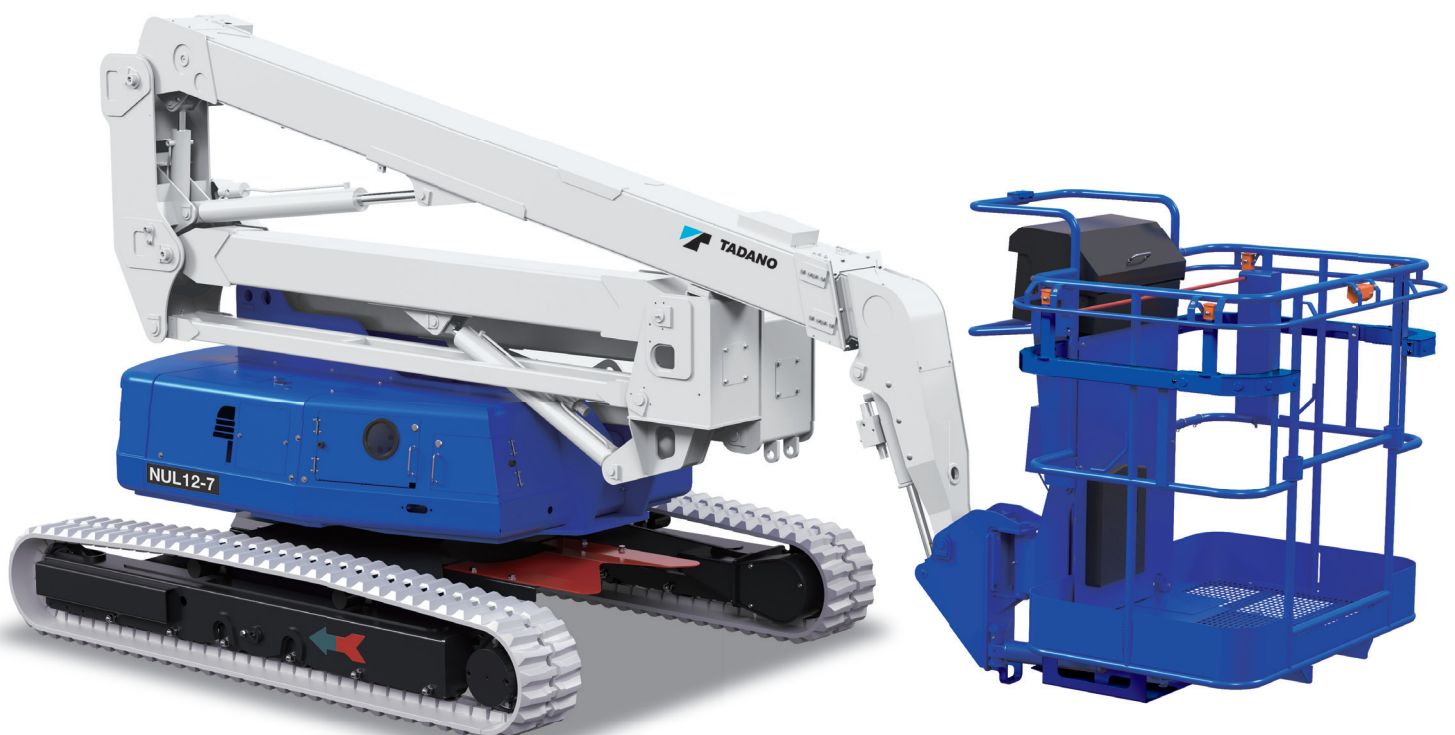
Crawler type
Articulated boom lift

FEATURES

- ✓ Low emission
- ✓ Allowable tilt 5°
- ✓ Operation restriction (slope)
- ✓ Overload sensing

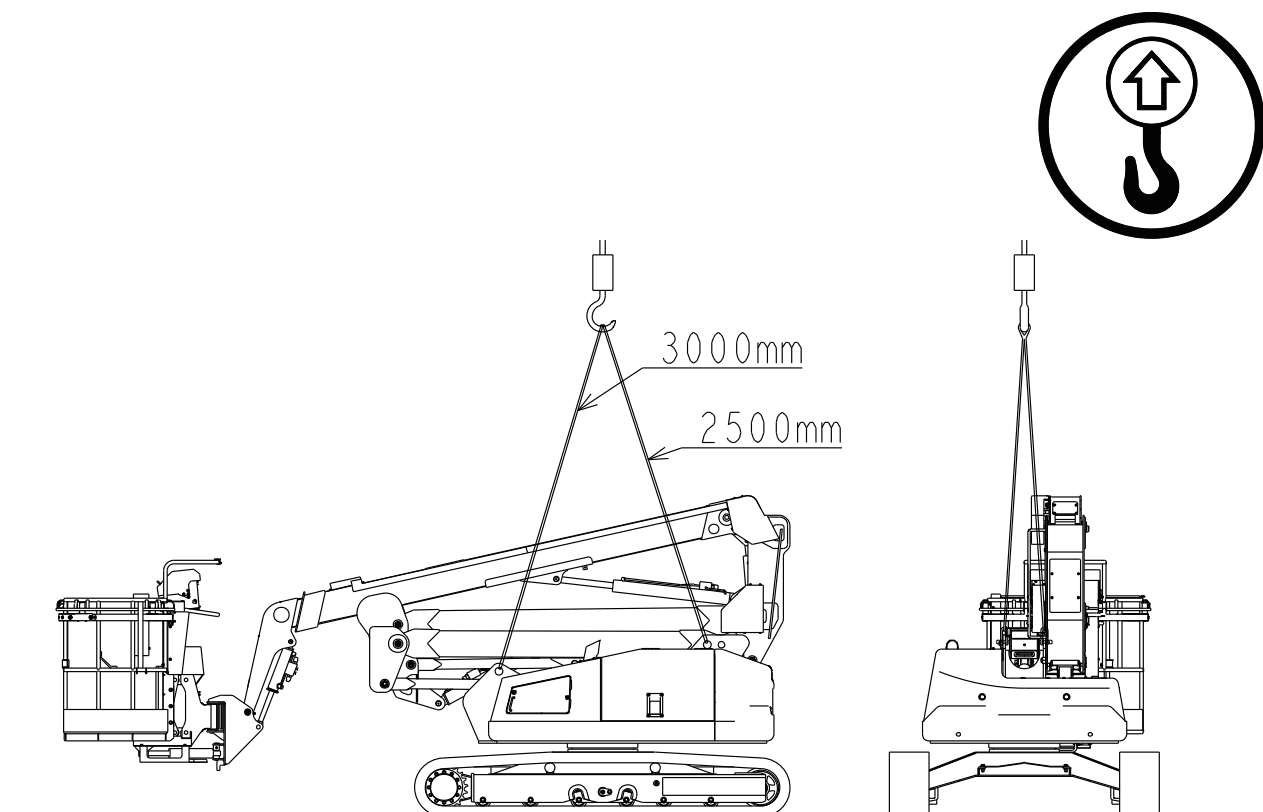


TYPE	AA-12PC
Platform capacity	200 kg
Allowable tilt	5°
Platform dimensions (W x L x H)	1,130 x 730 x 1,000 mm
Platform height (max)	12,130 mm
Horizontal reach	6,380 mm
Machine weight (w/pad)	5,210 (5,500) kg
Overall length	5,570 mm
Overall width	2,050 mm
Overall height	2,440 mm
Engine model	KUBOTA D1305
Travel speeds	0.7/1.3 km/h



Lifting the machine

- ⚠ Use only qualified rigging to hoist the machine.
- ⚠ Be sure that lifting devices and crane are sufficient to withstand the machine weight.
- Ensure the boom is in stowed position before lifting.
- Determine the center of gravity of the machine as shown below.
- Attach the rigging to designated lifting rings on the machine.
- Insert protective materials where rigging may interfere with the machine.



Tadano Ltd.

Kanda Square 18th Floor, 2-2-1 Kanda-Nishikicho, Chiyoda-ku, Tokyo 101-0054, Japan

Phone: +81-3-6811-7309

info@tadano.com

www.tadano.com