

## → AA-9PC (NUL09-7)

Crawler type  
Articulated boom lift

### FEATURES

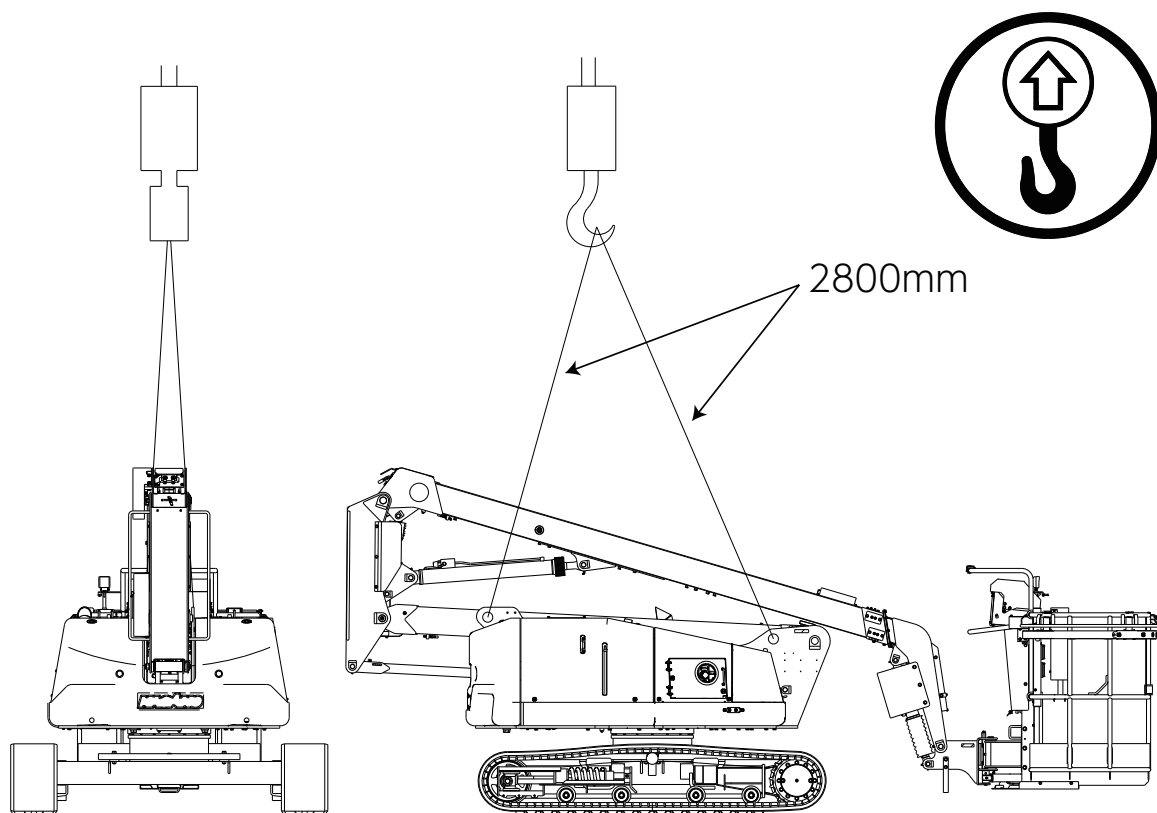
- ✓ Low emission
- ✓ Allowable tilt 5°
- ✓ Operation restriction (slope)



TYPE	AA-9PC
Platform capacity	200 kg
Allowable tilt	5°
Platform dimensions (W x L x H)	1,130 x 730 x 1,000 mm
Platform height (max)	9,000 mm
Horizontal reach	6,475 mm
Machine weight (w/pad)	4,750 (4,750) kg
Overall length	5,250 mm
Overall width	1,980 mm
Overall height	2,250 mm
Engine model	KUBOTA D1305
Travel speeds	0.7/1.3 km/h

## Lifting the machine

- ⚠ Use only qualified rigging to hoist the machine.
- ⚠ Be sure that lifting devices and crane are sufficient to withstand the machine weight.
- Ensure the boom is in stowed position before lifting.
- Determine the center of gravity of the machine as shown below.
- Attach the rigging to designated lifting rings on the machine.
- Insert protective materials where rigging may interfere with the machine.



## Tadano Ltd.

Kanda Square 18th Floor, 2-2-1 Kanda-Nishikicho, Chiyoda-ku, Tokyo 101-0054, Japan

Phone: +81-3-6811-7309

[info@tadano.com](mailto:info@tadano.com)

[www.tadano.com](http://www.tadano.com)