

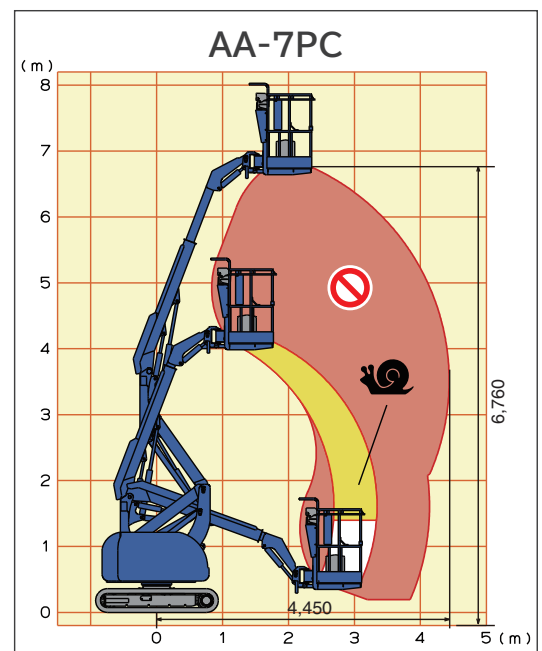
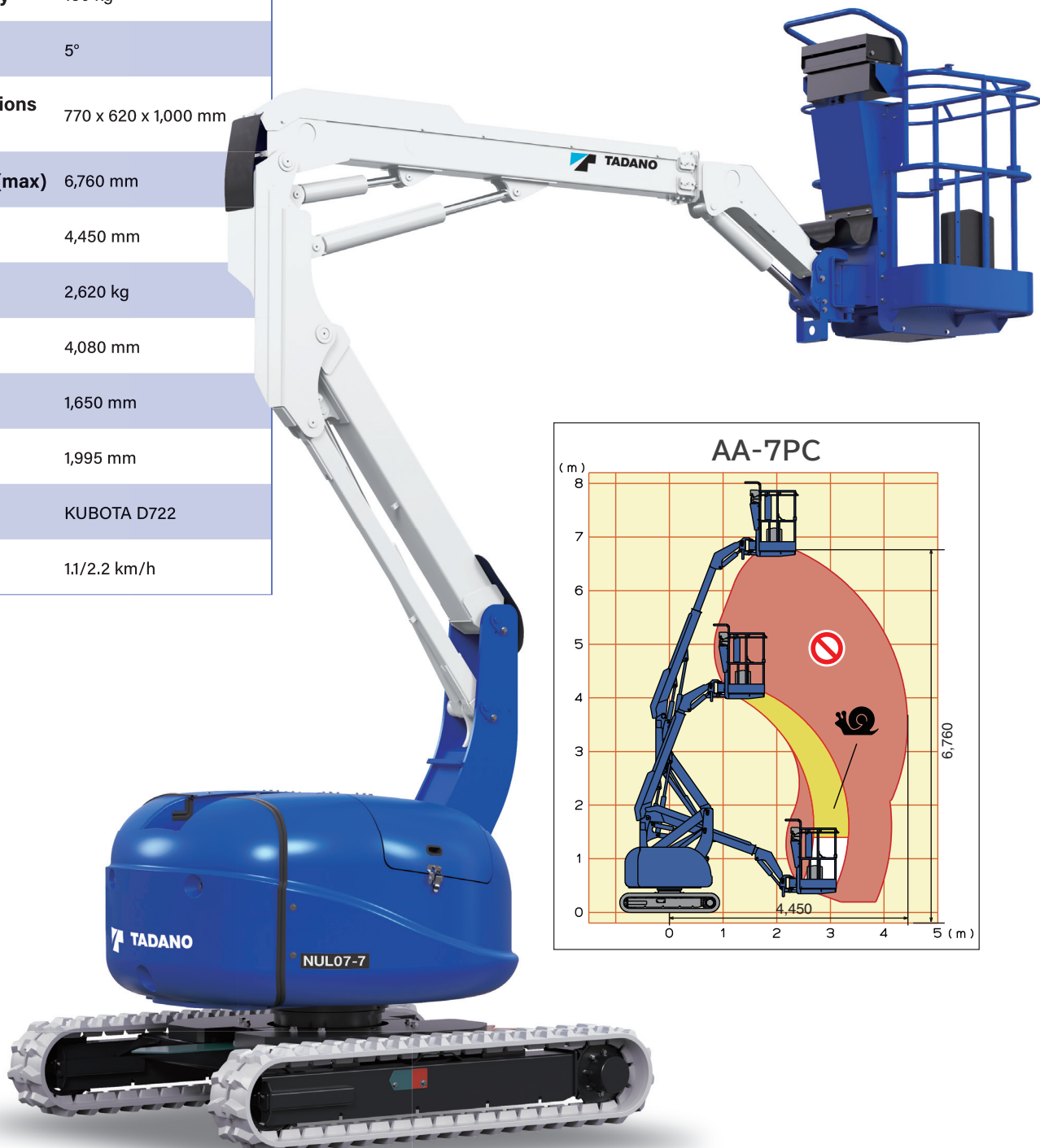
→ AA-7PC (NUL07-7)

Crawler type
Articulated boom lift

FEATURES

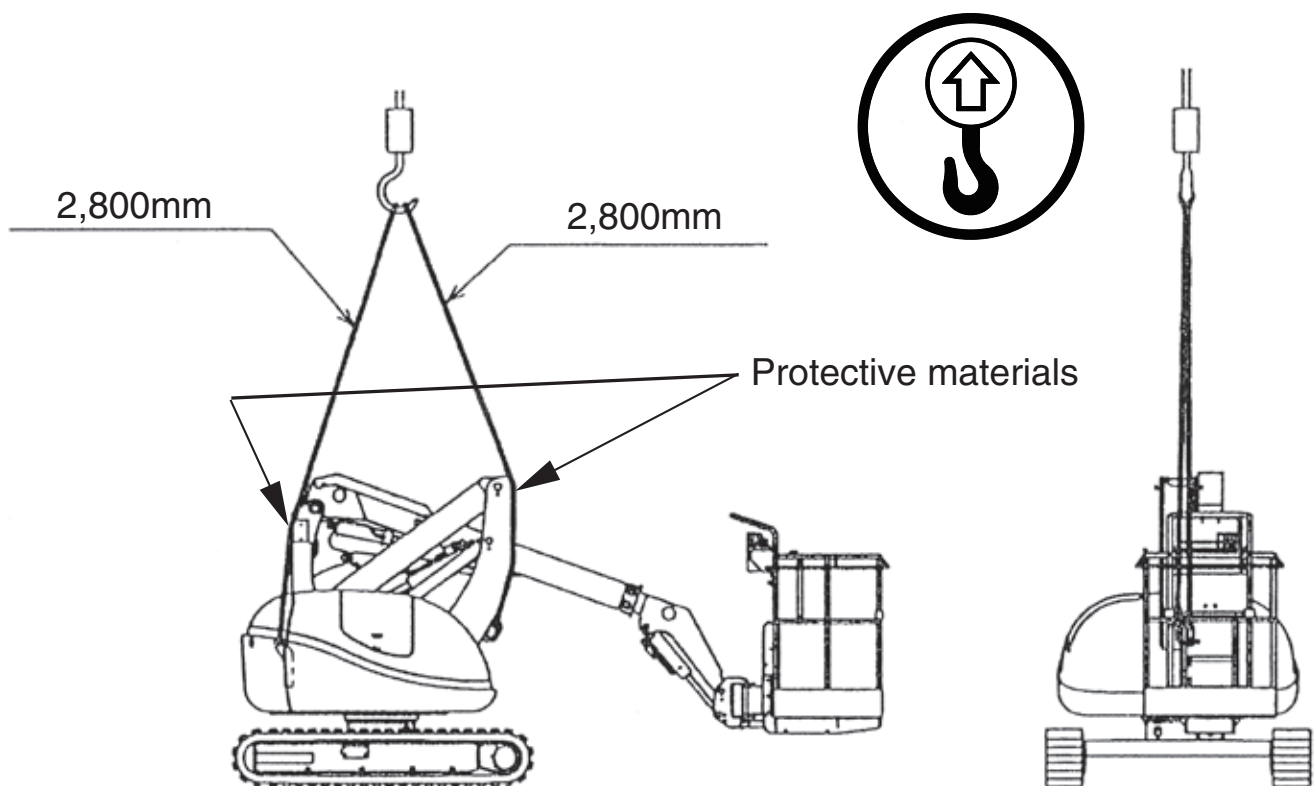
- ✓ Low emission
- ✓ Allowable tilt 5°
- ✓ Zero / Short tail
- ✓ Operation restriction (slope)

TYPE	AA-7PC
Platform capacity	150 kg
Allowable tilt	5°
Platform dimensions (W x L x H)	770 x 620 x 1,000 mm
Platform height (max)	6,760 mm
Horizontal reach	4,450 mm
Machine weight	2,620 kg
Overall length	4,080 mm
Overall width	1,650 mm
Overall height	1,995 mm
Engine model	KUBOTA D722
Travel speeds	1.1/2.2 km/h



Lifting the machine

- ⚠ Use only qualified rigging to hoist the machine.
- ⚠ Be sure that lifting devices and crane are sufficient to withstand the machine weight.
- Ensure the boom is in stowed position before lifting.
- Determine the center of gravity of the machine as shown below.
- Attach the rigging to designated lifting rings on the machine.
- Insert protective materials where rigging may interfere with the machine.



Tadano Ltd.

Kanda Square 18th Floor, 2-2-1 Kanda-Nishikicho, Chiyoda-ku, Tokyo 101-0054, Japan

Phone: +81-3-6811-7309

info@tadano.com

www.tadano.com